

SAT / FTA Diplexer



Hills new SAT / FTA diplexer is the perfect product for any satellite distribution or multiswitch network.

Designed to complement with a 2-gang wall outlet plate, available in Clipsal and HPM.

This unit is compact, easy to install whilst it's benefits eliminates the need of external splitters, diplexers or extra flyleads.

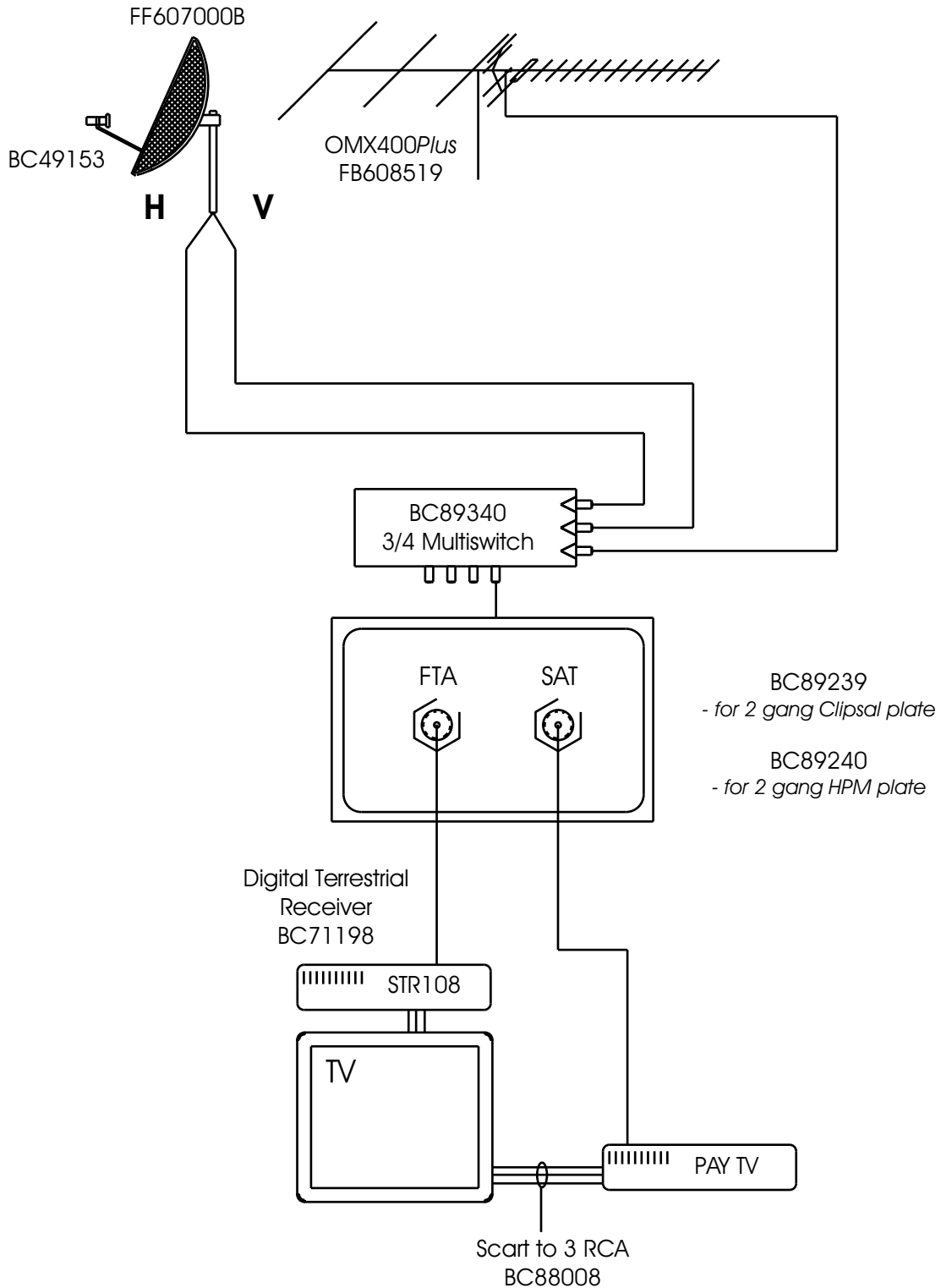
The transformation of today's TV outlet into the world of digital reception and beyond.

Specifications / Mode	Clipsal	HPM
Product Code	BC89239	BC89240
Inputs	1	1
Outputs	2	2
Frequency Range FTA	45 - 862MHz	
Frequency Range IF	950 - 2050MHz	
Insertion Loss FTA	<1.5dB	
Insertion Loss IF	<2.5dB	
Foxtel Approval Number	F10468	F10469

Features:

- Elimination of external splitters, diplexers and extra flyleads.
- Both Clipsal & HPM compatible.
- Easy to install.
- Pay TV Approved
- Efficient and convenient
- Pack of four, complete with plastic inserts and F type nuts.

SAT / FTA Diplexer



HILLS INDUSTRIES LIMITED ABN 35007 573 417 ANTENNA & TV SYSTEMS

New South Wales	Victoria/Tasmania	Queensland	S.A. / Northern Territory	Western Australia	Auckland	Export Sales
12 Wiggs Road Riverwood NSW 2210 Ph: (02) 9717 5290 Fax: (02) 9717 5226	Cnr Cambria & Bridge Road Keysborough VIC 3173 Ph: (03) 9238 2533 Fax: (03) 9238 2535	69 Activity Street Acacia Ridge QLD 4410 Ph: (07) 3344 3855 Fax: (07) 3344 4866	20 Raglan Avenue Edwardstown SA 5039 Ph: (08) 8371 0277 Fax: (08) 8371 1519	448 Victoria Road Malaga WA 6090 Ph: (08) 9209 7000 Fax: (08) 9209 7044	52B Ash Road Wiri NZ Ph: (09) 274 6509 Fax: (09) 274 1063	20 Raglan Avenue Edwardstown SA 5039 Ph: (08) 8371 3663 Fax: (08) 8371 1519

www.hillsantenna.com.au